

● Accessories



Pins  
Rod Eyes  
Clevis  
Mounting Brackets  
Rod Boots



## Mounting Combinations

	<p><b>Mill Duty Clevis Assembly</b> Forged steel or ductile cast iron Clevis and Bracket</p> <p>*Pneumatic Use Only</p>
	<p><b>Heavy Duty Clevis Assembly</b> Forged steel or ductile cast iron cast For heavy duty hydraulic applications</p>
	<p><b>Heavy Duty Rod Eye Assembly</b> Steel plate rod eye and bracket For Heavy duty hydraulic applications</p>
	<p><b>Self aligning Rod Eye Assembly</b> Self Aligning ball bearing in C1018 steel housing A36 Steel plate mounting bracket</p>
	<p><b>Self aligning Rod Eye Assembly</b> Self Aligning ball bearing in C1018 steel housing A36 Steel plate mounting bracket</p>



WESTCOAST CYLINDERS INC.

**Westcoast Cylinders Inc.**

225 Edworthy Way New Westminster  
BC Canada V3L 5G4

Phone Toll Free: 1-877-637-6925

Email: [Sales@royalcylinders.com](mailto:Sales@royalcylinders.com)

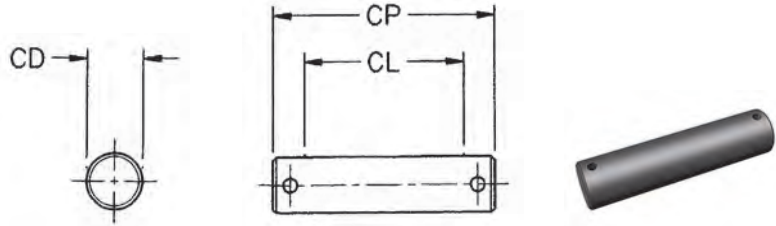
Website: [www.RoyalCylinders.com](http://www.RoyalCylinders.com)

### Contents

 <p>Pins</p>	 <p>Rod Eye Mill Duty</p>	 <p>Clevis Mill Duty</p>	 <p>Mounting Bracket Mill Duty</p>
 <p>Clevis</p>	 <p>Mounting Bracket Eye Type</p>	 <p>Rod Eye</p>	 <p>Mounting Bracket Clevis Type</p>
 <p>Rod Eye Self Aligning Female</p>	 <p>Rod Eye Self Aligning Male</p>	 <p>Mounting Bracket Self Aligning Rod Eye</p>	 <p>Mounting Bracket For Blind End Mounts</p>
 <p>Rod Stud</p>	 <p>Alignment Rod Coupler</p>	 <p>Heavy Duty Custom Accessories</p>	 <p>Stainless Steel Accessories</p>
 <p>Proximity Switches</p>	 <p>Rod Boots</p>		

Pins

Pneumatic and Hydraulic operation



Pivot Pins

Supplied with cotter pins

PART	P3	P4	P6	HP4	P12	HP6	HP5C	HP7	HP8	HP7C	HP10	HP12
CD	1/2	3/4	1	1 3/8	1 3/4	2	2	2 1/2	3	3	3 1/2	4
CL	1 3/4	2 1/2	3 1/16	4	5	5 1/2	5 13/16	6 3/16	6	6 1/2	8	9
CP	2 5/16	3 1/8	3 19/32	4 21/32	6 1/8	6	6 3/8	6 25/32	7 1/4	7 5/8	9 1/4	10 1/4

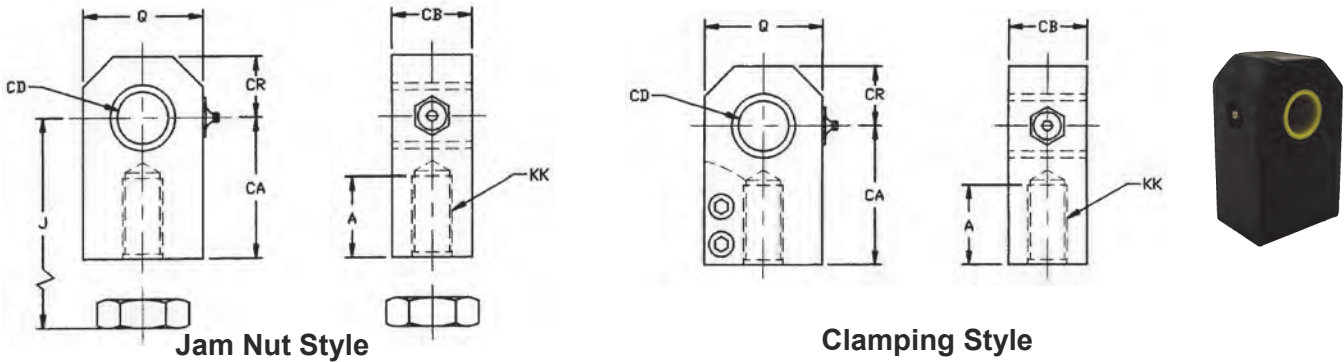
Pivot Pins for Self-Aligning Rod Eye

Adapts to HWM mounting bracket. Comes complete with cotter pins

PART	HWP15	HWP2	HWP32	HWP4	HWP5	HWP6	HWP8
CD	1/2	3/4	1	1 3/8	1 3/4	2	3
CL	1 5/16	2	2 17/32	3 3/32	3 7/16	3 15/16	6 1/8
CP	1 7/8	2 9/16	3 3/16	3 3/4	4 3/16	4 11/16	7 1/4

Rod Eye

Pneumatic operation  
Less than 250 psi



Jam Nut Style

Clamping Style

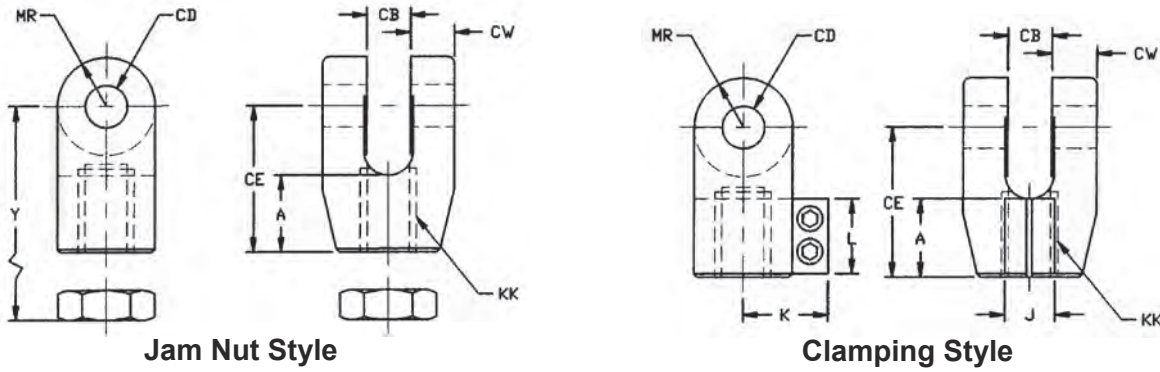
Note - "C" denotes Clamping Style

PART	RE3	E3	RE4-C	E4	RE6-C	E6	RE8-C	E8	E10-C	E12-C	E14-C
A	1 1/2	1 3/4	1 1/2	2	2	2 3/8	2 1/4	2 3/4	3	3	3
CA	2 1/2	3 1/8	2 7/8	3 1/2	3 11/16	4	4 1/4	5	5 1/4	5 1/4	5 3/4
CB	1 3/4	2	1 3/4	2	2	2 1/4	2 1/4	3 1/2	3 1/2	3 1/2	4
CD	1	1	1 1/4	1 1/4	1 1/2	1 1/2	2	2	2	2 1/2	2 1/2
CR	1	1 3/8	1 1/8	1 1/2	1 5/8	1 3/4	1 3/4	2 1/4	2 1/4	2 3/4	2 3/4
J	2 15/16	3 9/16		4 1/16		4 5/8		5 13/16			
KK	3/4-16	3/4-16	1-14	1-14	1 1/4-12	1 1/4-12	1 1/2-12	1 1/2-12	2-12	2 1/2-12	3-12
Q	2	2 3/4	2 1/4	3	3	3 1/2	3 1/2	4 1/2	4 1/2	5 1/2	5 1/2
LOAD CAPACITY (lb)	11800	27000	9800	24750	24750	32500	43000	66900	66900	82600	94500



**Clevis**

**Pneumatic operation**  
Less than 250 psi

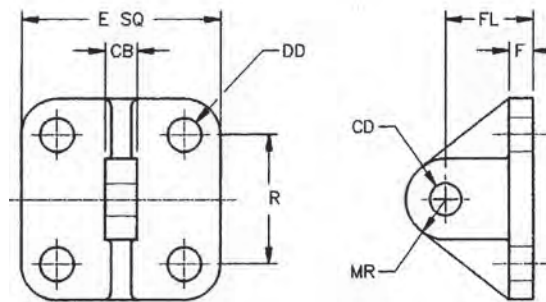


Note -"C" denotes Clamping Style

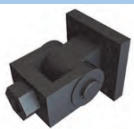
PART	C2	C3	C4	C6	C8	C8-C	C10	C10-C	C12	C12-C
A	1	1	1 3/8	1 3/4	2	2	2 1/2	2 1/2	3	3
CB	1/2	1/2	3/4	1	1 1/4	1 1/4	1 1/2	1 1/2	2	2
CD	1/2	1/2	3/4	1	1 1/4	1 1/4	1 1/2	1 1/2	1 3/4	1 3/4
CE	2	2	2 5/8	3 1/4	3 3/4	3 3/4	4 3/4	4 3/4	5 7/8	5 7/8
CW	9/16	9/16	13/16	15/16	1 1/4	1 1/4	1 7/16	1 7/16	1 5/8	1 5/8
J	N/A	N/A	N/A	N/A	N/A	1 1/4	N/A	1 1/2	N/A	1 3/4
K	N/A	N/A	N/A	N/A	N/A	2 3/8	N/A	2 3/4	N/A	3 3/16
KK	5/8-18	3/4-16	1-14	1 1/4-12	1 1/2-12	1 1/2-12	2-12	2-12	2 1/2-12	2 1/2-12
L	N/A	N/A	N/A	N/A	N/A	2	N/A	2 1/2	N/A	3
MR	5/8	5/8	7/8	1 1/8	1 3/8	1 3/8	1 3/4	1 3/4	2	2
Y	2 3/8	2 7/16	3 3/16	3 7/8	4 9/16	4 9/16	5 7/8	5 7/8	7 3/8	7 3/8
LOAD CAPACITY (lb)	10000	10000	20100	29500	47500	47500	71000	71000	91000	91000

**Mounting Bracket**

**Pneumatic operation**  
Less than 250 psi

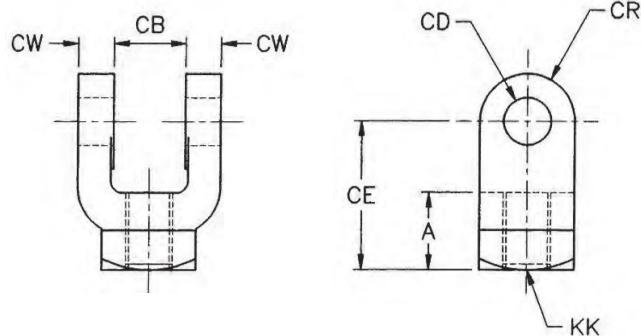


PART	M15	M3	M4	M6	M8	M10	M12
CB	3/8	1/2	3/4	1	1 1/4	1 1/2	2
CD	3/8	1/2	3/4	1	1 1/4	1 1/2	1 3/4
DD	13/32	17/32	17/32	21/32	21/32	29/32	1 1/16
E	2 3/4	3 1/8	4 3/8	5 1/2	6 1/2	7 3/4	9
F	3/8	7/16	9/16	5/8	3/4	1 1/4	1 3/8
FL	1 1/8	1 3/8	1 3/4	2	2 1/2	3 1/4	3 3/4
MR	1/2	5/8	7/8	1 1/16	1 1/4	1 5/8	2 1/8
R	1 3/4	2	3 1/4	4 1/4	5	6	6 3/4
LOAD CAPACITY (lb)	5400	9000	18500	29000	42000	67500	121000



## Clevis

Hydraulic and  
Pneumatic operation  
< 3000 psi

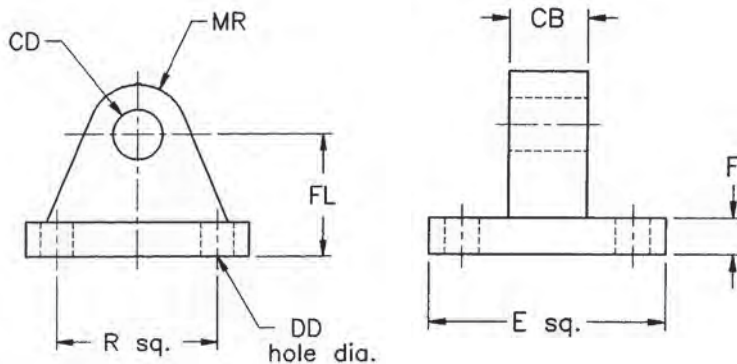


Adapts to HM eye-type mounting bracket

PART	HC15	HC15C	HC2	HC2C	HC32-M	HC32	HC4	HC5	HC5C	HC6	HC7	HC8	HC7C	HC10	HC10C
A	3/4	3/4	1 1/8	1 5/8	1 5/8	1 5/8	2	2 1/4	3	3	3 1/2	3 1/2	3 1/2	3 1/2	3 1/2
CB	0.765	0.765	1.265	1.515	1.515	1.515	2.031	2.531	2.531	2.531	3.032	3.032	3.032	4.032	4.032
CD	1/2	1/2	3/4	1	1	1	1 3/8	1 3/4	2	2	2 1/2	3	3	3 1/2	3 1/2
CE	1 1/2	1 1/2	2 3/8	3 1/8	2 15/16	3 1/8	4 1/8	4 1/2	5 1/2	5 1/2	6 1/2	6 3/4	6 3/4	7 3/4	7 3/4
CW	1/2	1/2	5/8	3/4	3/4	3/4	1	1 1/4	1 1/4	1 1/4	1 1/2	1 1/2	1 1/2	2	2
CR	1/2	1/2	3/4	1	1	1	1 3/8	1 3/4	2	2	2 1/2	2 3/4	2 3/4	3 1/2	3 1/2
KK	7/16-20	1/2-20	3/4-16	7/8-14	1-14	1-14	1 1/4-12	1 1/2-12	1 3/4-12	1 7/8-12	2 1/4-12	2 1/2-12	2 3/4-12	3 1/4-12	3-12
LOAD CAPACITY (lb)	6750	6750	12656.3	20250	20250	20250	37125	59062.5	67500	67500	101250	108000	108000	189000	189000

## Mounting Bracket - Eye Type

Hydraulic and  
Pneumatic operation  
< 3000 psi



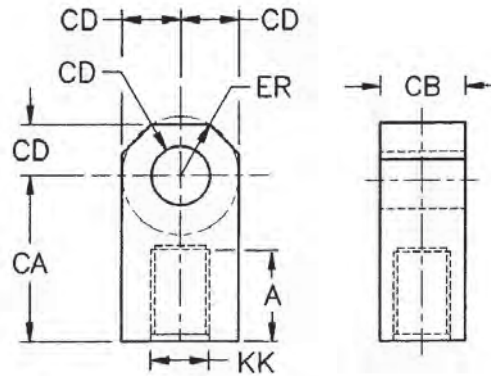
Adapts to HC mount cylinder or HC rod clevis

PART	HM15	HM25	HM32	HM4	HM5	HM6	HM7	HM8	HM10	HM12
CB	3/4	1 1/4	1 1/2	2	2 1/2	2 1/2	3	3	4	4 1/2
CD	1/2	3/4	1	1 3/8	1 3/4	2	2 1/2	3	3 1/2	4
DD	13/32	17/32	21/32	21/32	29/32	1 1/16	1 3/16	1 5/16	1 13/16	2 1/16
E	2 1/2	3 1/2	4 1/2	5	6 1/2	7 1/2	8 1/2	9 1/2	12 5/8	14 7/8
F	3/8	5/8	3/4	7/8	7/8	1	1	1	1 11/16	1 15/16
FL	1 1/8	1 7/8	2 1/4	3	3 1/8	3 1/2	4	4 1/4	5 11/16	6 7/16
MR	1/2	3/4	1	1 3/8	1 3/4	2	2 1/2	3	3 1/2	4
R	1.63	2.56	3.25	3.81	4.95	5.75	6.59	7.50	9.62	11.50
LOAD CAPACITY (lb)	8000	20000	32000	59000	94000	108000	162000	194000	302000	388000



## Rod Eye

Hydraulic and  
Pneumatic operation  
< 3000 psi

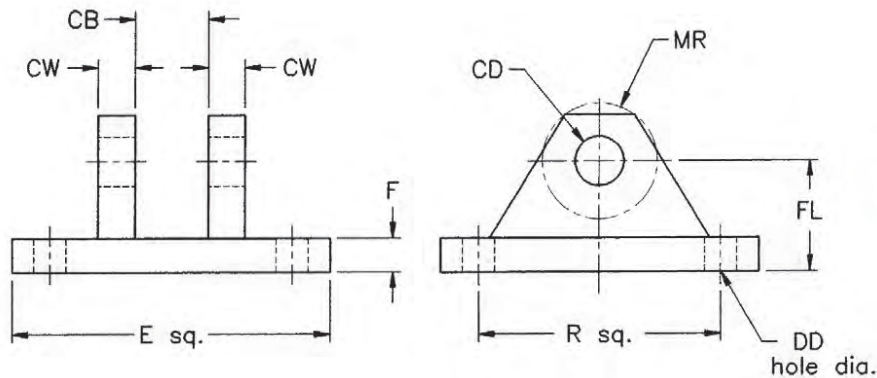


Adapts to HCM clevis-type mounting bracket

PART	HE15	HE15C	HE2	HE2C	HE32	HE4	HE5	HE5C	HE6	HE7	HE7C	HE8	HE10	HE12C	HE12D
KK	7/16-20	1/2-20	3/4-16	7/8-14	1-14	1 1/4-12	1 1/2-12	1 3/4-12	1 7/8-12	2 1/4-12	2 3/4-12	2 1/2-12	3 1/4-12	3 3/4-12	4 1/4-12
CA	1 1/2	1 1/2	2 1/16	2 3/8	2 13/16	3 7/16	4	4 3/8	5	5 13/16	6 1/2	6 1/8	7 5/8	7 5/8	8 1/8
CD	1/2	1/2	3/4	1	1	1 3/8	1 3/4	2	2	2 1/2	3	3	3 1/2	4	4
CB	3/4	3/4	1 1/4	1 1/2	1 1/2	2	2 1/2	2 1/2	2 1/2	3	3 1/2	3	4	4 1/2	5
A	3/4	3/4	1 1/8	1 1/8	1 5/8	2	2 1/4	2 1/4	3	3 1/2	3 5/8	3 1/2	4 1/2	4	4 1/2
ER	5/8	5/8	7/8	1 7/16	1 3/16	1 9/16	2	2 7/8	2 1/2	2 13/16	3 1/4	3 1/4	3 7/8	4	4
LOADCAPACITY (lb)	4100	4100	10000	16000	16000	30000	48000	55000	55000	82000	115000	99000	154000	198000	220000

## Mounting Bracket - Clevis Type

Hydraulic and  
Pneumatic operation  
< 3000 psi



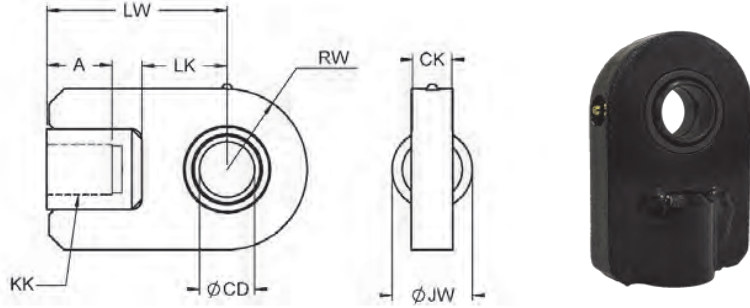
Adapts to HE mount cylinder or HE rod eye

PART	HCM15	HCM2	HCM32	HCM4	HCM5	HCM6	HCM7	HCM8	HCM10	HCM12
CB	25/32	1 9/32	1 17/32	2 1/32	2 9/16	2 9/16	3 1/16	3 1/16	4 1/16	4 9/16
CD	1/2	3/4	1	1 3/8	1 3/4	2	2 1/2	3	3 1/2	4
CW	1/2	5/8	3/4	1	1 1/4	1 1/4	1 1/2	1 1/2	2	2
DD	13/32	17/32	21/32	21/32	15/16	1 1/16	1 3/16	1 5/16	1 13/16	2 1/16
E	3 1/2	5	6 1/2	7 1/2	9 1/2	12 3/4	12 3/4	12 3/4	15 1/2	17 1/2
F	1/2	5/8	3/4	7/8	7/8	1	1	1	1 11/16	1 15/16
FL	1 1/2	1 7/8	2 1/4	3	3 5/8	4 1/4	4 1/2	6	6 11/16	7 11/16
MR	1/2	3/4	1	1 3/8	1 3/4	2	2 1/2	3	3 1/2	4
R	2.55	3.82	4.95	5.73	7.50	9.40	9.40	9.40	12.00	13.75
LOADCAPACITY (lb)	5400	10000	16000	29000	47000	54000	81000	97000	151000	172500



## Self Aligning Rod Eye - Female Thread

Hydraulic and Pneumatic operation

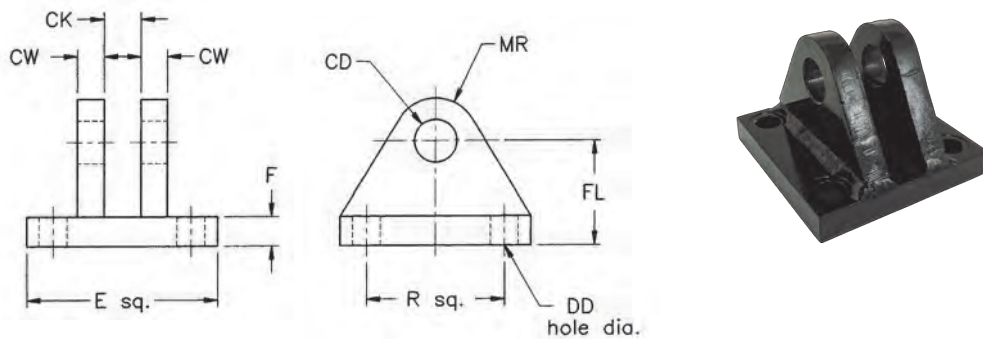


Adapts to HWM Mounting Bracket

PART	HWE15	HWE2	HWE32	HWE4	HWE5	HWE6	HWE7	HWE8
A	3/4	1 1/8	1 5/8	2	2 1/4	3	3 1/2	3 1/2
CD	1/2	3/4	1	1 3/8	1 3/4	2	2 1/2	3
CK	7/16	21/32	7/8	1 3/16	1 17/32	1 3/4	2 3/16	2 5/8
JW	3/4	1 3/8	1 3/4	2	2 1/2	3	3 1/2	4
KK	7/16-20	3/4-16	1-14	1 1/4-12	1 1/2-12	1 7/8-12	2 1/4-12	2 1/2-12
LW	1 3/4	2 3/4	3 5/8	4 1/2	5 5/8	6 3/4	7	7 1/8
RW	7/8	1 1/4	1 1/2	2	2 3/4	3	3 1/8	4
LK	5/8	1 1/4	1 5/8	2 1/8	2 5/8	3 1/2	3 1/8	3 1/4
LOAD CAPACITY (lb)	2300	5000	7400	13000	24000	50400	59000	94500

## Mounting Bracket for Self-Aligning Rod Eye

Hydraulic and Pneumatic operation



Adapts to HW mount cylinder, HWE and HRES rod eye

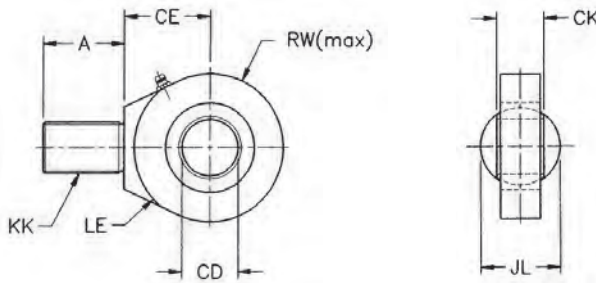
PART	HWM15	HWM2-D	HWM2*	HWM32	HWM4	HWM5	HWM6	HWM7	HWM8
CD	1/2	3/4	3/4	1	1 3/8	1 3/4	2	2 1/2	3
CK	15/32	11/16	11/16	29/32	1 7/32	1 19/32	1 13/16	2 1/4	2 23/32
CW	5/16	1/2	1/2	5/8	3/4	3/4	7/8	1 1/4	1 1/2
DD	13/32	17/32	1/2"-20	21/32	21/32	15/16	1 1/16	1 3/16	1 5/16
E	2 1/2	3 1/2	3 1/2	4 1/2	5	6 1/2	7 1/2	8 1/2	9 1/2
F	3/8	9/16	9/16	11/16	13/16	15/16	15/16	15/16	1
FL	1 1/2	2 1/16	2 1/16	2 7/16	3 1/16	3 15/16	4 3/16	4 11/16	5 1/4
MR	1/2	3/4	3/4	1	1 3/8	1 3/4	2	2 1/2	3
R	1.63	2.55	2.55	3.25	3.82	4.95	5.73	6.58	7.50
LOAD CAPACITY (lb)	3300	8100	8100	13500	22000	28000	37500	67500	97200





## Self Aligning Rod Eye - Male Thread

Hydraulic and  
Pneumatic operation

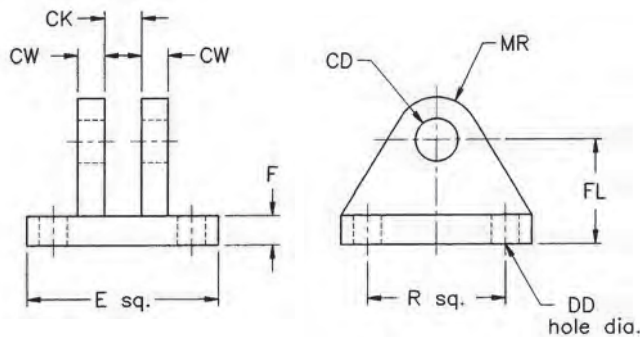


Adapts to HWM Mounting Bracket

PART	HRES-1	HRES-2	HRES-3	HRES-4	HRES-5	HRES-6
A	11/16	1	1 1/2	2	2 1/8	2 7/8
CD	1/2	3/4	1	1 3/8	1 3/4	2
CE	7/8	1 1/4	1 7/8	2 1/8	2 1/2	2 3/4
CK	7/16	21/32	7/8	1 3/16	1 17/32	1 3/4
JL	7/8	1 5/16	1 1/2	2	2 1/4	2 3/4
KK	7/16-20	3/4-16	1-14	1 1/4-12	1 1/2-12	1 7/8-12
LE	3/4	1 1/16	1 7/16	1 7/8	2 1/8	2 1/2
RW	7/8	1 1/4	1 3/8	1 13/16	2 3/16	2 5/8

## Mounting Bracket for Self-Aligning Rod Eye

Hydraulic and  
Pneumatic operation

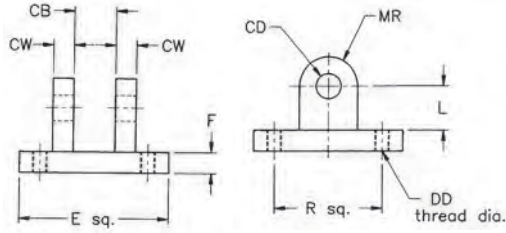


Adapts to HW mount cylinder, HWE and HRES rod eye

PART	HWM15	HWM2-D	HWM2*	HWM32	HWM4	HWM5	HWM6	HWM7	HWM8
CD	1/2	3/4	3/4	1	1 3/8	1 3/4	2	2 1/2	3
CK	15/32	11/16	11/16	29/32	1 7/32	1 19/32	1 13/16	2 1/4	2 23/32
CW	5/16	1/2	1/2	5/8	3/4	3/4	7/8	1 1/4	1 1/2
DD	13/32	17/32	1/2"-20	21/32	21/32	15/16	1 1/16	1 3/16	1 5/16
E	2 1/2	3 1/2	3 1/2	4 1/2	5	6 1/2	7 1/2	8 1/2	9 1/2
F	3/8	9/16	9/16	11/16	13/16	15/16	15/16	15/16	1
FL	1 1/2	2 1/16	2 1/16	2 7/16	3 1/16	3 15/16	4 3/16	4 11/16	5 1/4
MR	1/2	3/4	3/4	1	1 3/8	1 3/4	2	2 1/2	3
R	1.63	2.55	2.55	3.25	3.82	4.95	5.73	6.58	7.50
LOAD CAPACITY (lb)	3300	8100	8100	13500	22000	28000	37500	67500	97200

## Detachable Clevis—MP2 Mount (NFPA)

Hydraulic and Pneumatic operation

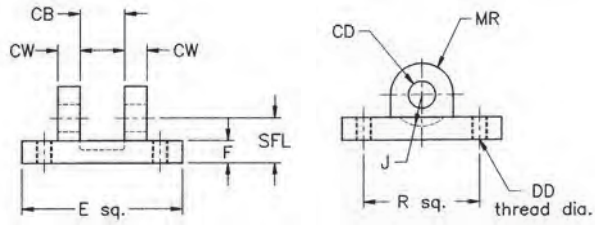


Mounts on H-Series cylinder and adapts to HM eye-type mounting bracket

PART	HMP2-15T	HMP2-2T	HMP2-25T	HMP2-32T	HMP2-4T	HMP2-5T	HMP2-6T	HMP2-7T	HMP2-8T
CB	0.765	1.281	1.265	1.515	2.032	2.531	2.531	3.032	3.032
CD	1/2	3/4	3/4	1	1 3/8	1 3/4	2	2 1/2	3
CW	1/2	5/8	5/8	3/4	1	1 1/4	1 1/4	1 1/2	1 1/2
DD	3/8-24	1/2-20	1/2-20	5/8-18	5/8-18	7/8-14	1-14	1 1/8-12	1 1/4-12
E	2 1/2	3	3 1/2	4 1/2	5	6 1/2	7 1/2	8 1/2	9 1/2
F	3/8	5/8	5/8	3/4	7/8	7/8	1	1	1
FL	1 1/8	1 7/8	1 7/8	2 1/4	3	3 1/8	3 1/2	4	4 1/4
MR	1/2	13/16	3/4	1	1 3/8	1 3/4	2	2 1/2	3
R	1 5/8	2 3/16	2 9/16	3 1/4	3 13/16	4 15/16	5 3/4	6 19/32	7 1/2
LOAD CAPACITY (lb)	6750	14000	12600	20200	37000	59000	67500	101200	121500

## Detachable Clevis—MP1 Mount (NFPA)

Hydraulic and Pneumatic operation

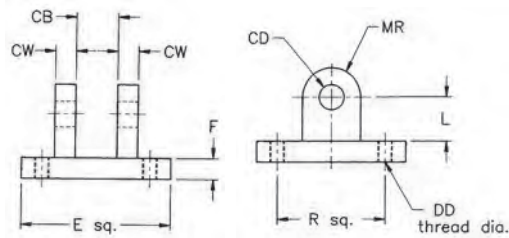


Mounts on cylinder and adapts to HM eye-type mounting bracket

PART	LMP1-15	LMP1-2	LMP1-25	LMP1-32	LMP1-4	LMP1-5	LMP1-6
CB	0.76	0.76	0.76	1.26	1.26	1.26	1.51
CD	1/2	1/2	1/2	3/4	3/4	3/4	1
CW	1/2	1/2	1/2	5/8	5/8	5/8	3/4
DD	1/4-28	5/16-24	5/16-24	3/8-24	3/8-24	1/2-20	1/2-20
E	2	2 1/2	3	3 3/4	4 1/2	5 1/2	6 1/2
F	3/8	3/8	3/8	5/8	5/8	5/8	3/4
J	5/8	5/8	5/8	7/8	7/8	7/8	1 1/8
SFL	3/4	3/4	3/4	1 1/4	1 1/4	1 1/4	1 1/2
MR	5/8	5/8	5/8	7/8	7/8	7/8	1 1/8
R	1.43	1.84	2.19	2.76	3.32	4.10	4.88

## Detachable Clevis—MP2 Mount (NFPA)

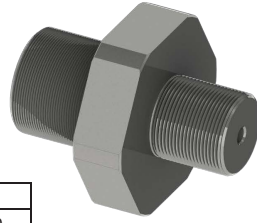
Hydraulic and Pneumatic operation



Mounts on L-Series Cylinder and adapts to HM eye-type mounting bracket

PART	LMP2-15	LMP2-2	LMP2-25	LMP2-32	LMP2-4	LMP2-5	LMP2-6
CB	0.76	0.76	0.76	1.26	1.26	1.26	1.51
CD	1/2	1/2	1/2	3/4	3/4	3/4	1
CW	1/2	1/2	1/2	5/8	5/8	5/8	3/4
DD	1/4-28	5/16-24	5/16-24	3/8-24	3/8-24	1/2-20	1/2-20
E	2	2 1/2	3	3 3/4	4 1/2	5 1/2	6 1/2
F	3/8	3/8	3/8	5/8	5/8	5/8	3/4
L	3/4	3/4	3/4	1 1/4	1 1/4	1 1/4	1 1/2
MR	5/8	5/8	5/8	7/8	7/8	7/8	1 1/8
R	1.43	1.84	2.19	2.76	3.32	4.10	4.88

## Rod Studs



PART	4RSN7	4RSN8	4RSN12	4RSN16	4RSN20	4RSN24	4RSN30	4RSN40
Thread	7/16-20	1/2-20	3/4-16	1-14	1 1/4-12	1 1/2-20	1 7/8-12	2 1/2-20
Length	1.50	1.50	2.25	3.25	4.00	4.5	6.00	7.00

### Options available - Please Request:

Stepped Rod Stud

Stepped Rod Stud with Rod Flat

4140 Steel

Stainless Steel

Custom Sizing

Allows for a shoulder against shoulder connection like a jam nut.

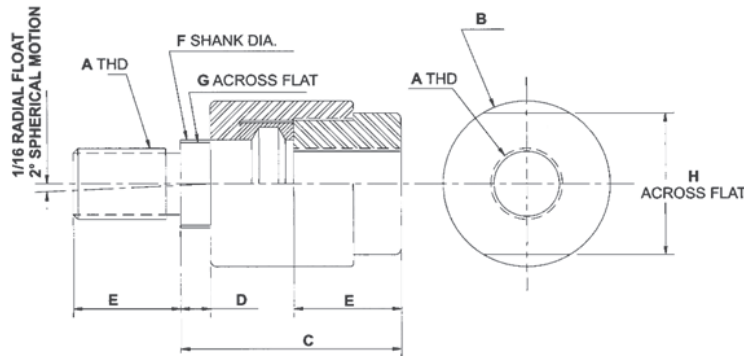
Strong Material to get the most out of the thread

17-4PH Stainless steel for corrosion resistance.

Contact us with your special request

## Linear Alignment Couplers

- Maximum reliability for trouble free operation, long life and lower operating costs
- Increased cylinder life by reducing wear on piston, rod and gland bushing
- Simple installation



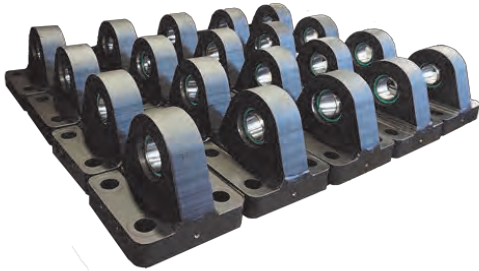
Part #	A	B	C	D	E	F	G	H	MAX PULL AT YIELD**
AC-250F	1/4-28	7/8	1 1/4	1/4	5/8	0.245	3/16	13/16	6000
AC-312F	5/16-24	7/8	1 1/4	1/4	5/8	0.308	1/4	13/16	8300
AC-375C	3/8-16	7/8	1 1/4	1/4	5/8	0.369	5/16	13/16	5000
AC-375F	3/8-24	7/8	1 1/4	1/4	5/8	0.370	5/16	13/16	8300
AC437F	7/16-20	1 1/4	2	1/2	3/4	5/8	9/16	1 1/8	10000
AC-500C	1/2-13	1 1/4	2	1/2	3/4	5/8	9/16	1 1/8	14000
AC-500F	1/2-20	1 1/4	2	1/2	3/4	5/8	9/16	1 1/8	14000
AC-625F	5/8-18	1 1/4	2	1/2	3/4	5/8	1/2	1 1/8	14000
AC-750C	3/4-10	1 3/4	2 5/16	5/16	1 1/8	31/32	7/8	1 1/2	34000
AC-750F	3/4-16	1 3/4	2 5/16	5/16	1 1/8	31/32	7/8	1 1/2	34000
AC-875F	7/8-14	1 3/4	2 5/16	5/16	1 1/8	31/32	7/8	1 1/2	34000
AC-1000F	1-14	2 1/2	2 15/16	1/2	1 5/8	1 3/8	1 1/4	2 1/4	64000
AC-1000C	1-8	2 1/2	2 15/16	1/2	1 5/8	1 3/8	1 1/4	2 1/4	64000
AC-1250F	1-1/4-12	2 1/2	2 15/16	1/2	1 5/8	1 3/8	1 1/4	2 1/4	64000
AC-1375F	1-3/8-12	2 1/2	2 15/16	1/2	1 5/8	1 3/8	1 1/4	2 1/4	64000
AC-1500F	1-1/2-12	3 1/4	4 3/8	13/16	2 1/4	1 3/4	1 1/2	3	134000
AC-1750F	1-3/4-12	3 1/4	4 3/8	13/16	2 1/4	1 3/4	1 1/2	3	134000
AC-1875F	1-7/8-12	3 3/4	5 7/16	11/16	3	2 1/4	1 7/8	3 1/2	240000
AC-2000F	2-12	3 3/4	5 7/16	11/16	3	2 1/4	1 7/8	3 1/4	240000

\*\*4:1 safety factor included

## Custom Accessories

ROYAL is proud To supply custom made heavy duty accessories for your toughest application. When it comes to making reliable and long lasting parts Royal is the leader.

- Stronger material. T1 or 4140 steel available if needed.
- Weak points eliminated. Certifying the welding or manufacturing out of one piece guarantees maximum strength
- Design Specific. Let us know what your application is and we will design a product that will work. Checking all the safety factors and variables to give you the best product for the job.



Weld Certified Heavy Duty Self Aligning Mounting Brackets



One Steel Piece Clamping Rod Eye



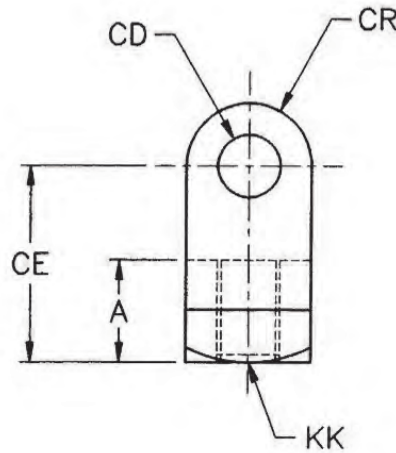
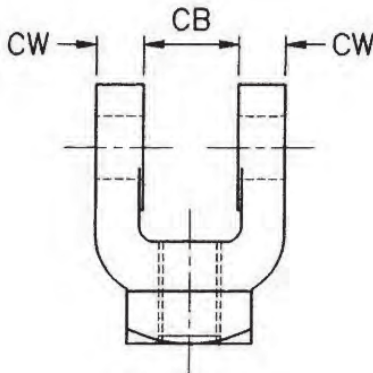
One Steel Piece Clamping Clevis

## Templates

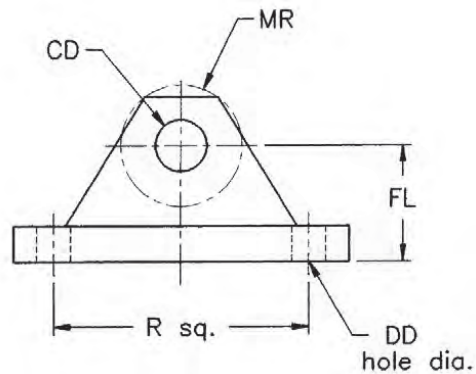
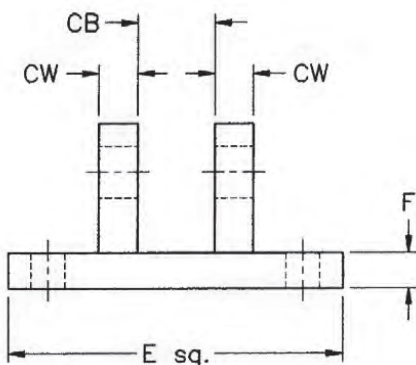
Need something custom made? Fill in the available template below and send it in for a quote.

If you need a template that isn't shown please request one from [sales@royalcylinders.com](mailto:sales@royalcylinders.com) or go to [www.royalcylinders.com/templates](http://www.royalcylinders.com/templates)

### Custom Clevis Dimensions



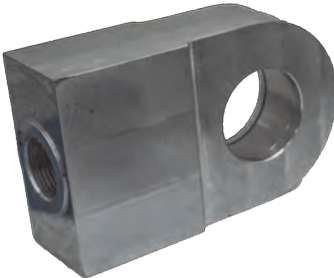
### Custom Mounting Bracket Dimensions



### Stainless Steel

All the accessories shown in this catalog are available in stainless steel or epoxy coated finishing. Let us know your application and we will work with you to determine the right material for the job.

- Application Approved. Whether it is for marine, corrosive environment or food service we will help you select the right material.



Stainless Steel Rod Eye



Stainless Steel Rod Eye with housing for self aligning bearing

### Rod Boots

ROYAL Cylinders can be supplied with Rod boots to protect against dust, heat or debris. Using information about your application we can help select the right rod boot material and mounting so your cylinder is protected.

- Protect from Temperature  $-40^{\circ}\text{F}$  to  $220^{\circ}\text{F}$
- Prevent Nicking and Scoring on piston rod
- Keep debris and dust way from rod seals
- Shield against corrosive splatter

Easy to fit and install

